

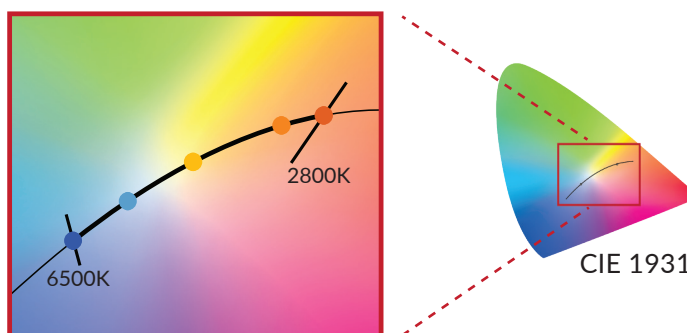
FEATURES

- 2800-6500K continuous CCT tuning
- 200W tungsten output (40W draw)
- High CRI values at every color temperature
- Dims to 0% without flicker or color shift
- Precise color calibration for consistent quality
- Water resistant (IP-24)
- Weighs less than 2 lbs
- Supports 12-24V battery input with D-Tap accessory
- Available in portable light kits
- Optional light modifiers available

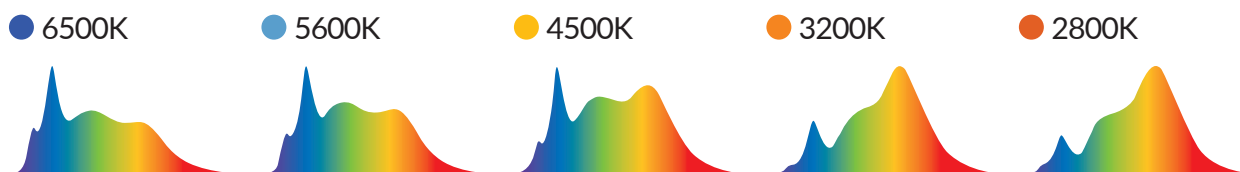


COMPREHENSIVE COLOR CALIBRATION

ensures cinema-caliber precision and light quality at all settings



MULTI-PHOSPHOR SPECTRUM for excellent color rendering

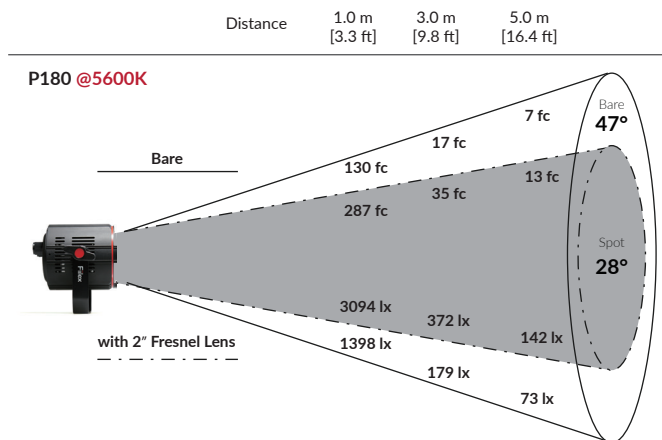
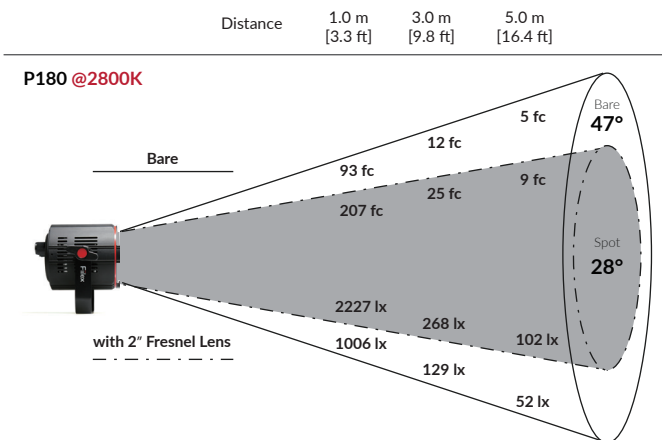


Industry-leading CRI scores on difficult color samples (R9, R12)

CCT	R1	R2	R3	R4	R5	R6	R7	R8	R9	R10	R11	R12	R13	R14	R15	CRI _{Ra} *	CRI _{Ext} *	TLCI
3200K	98	98	91	97	99	96	97	97	96	92	96	86	99	94	97	97	96	96
5600K	97	98	96	95	96	95	97	96	91	92	95	87	97	97	97	96	95	97
6500K	97	98	97	95	95	96	97	96	91	94	94	87	98	98	96	96	95	97

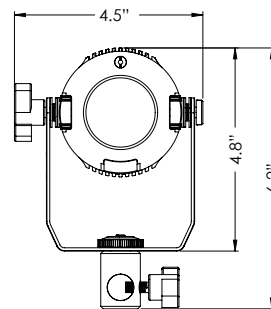
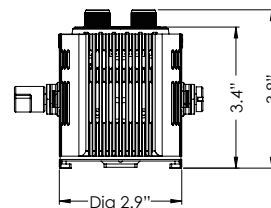
*CRI_{Ra} is the averaged result of R1 to R8; CRI_{Ext} is the averaged value of R1 to R15. Typical values shown.

PHOTOMETRIC DATA



SPECIFICATIONS

Beam Angle	47° (28° With 2" Fresnel)
CCT Range	2800 - 6500K Continuous Tuning
CRI	96 Typical
Dimming	100% - 0% Flicker Free
Light Engine	Dense Matrix LED
Power Draw	40W Max
DC Input	12 - 24V DC (32W DC Max)
AC Input	100 - 240V AC, 50 ~ 60Hz
Weight	1.2lbs / 0.5kg
Size (L x W x H)	Dia 2.9" x L 3.8" x H 6.2" / Dia 7.4cm x L 9.6cm x H 15.7
Mount	Baby Stud 5/8" Female (16mm)
IP Rating	IP-24 (Dust & Water Resistant)
Thermal Design	Advanced Vapor Cooling System (Fan Cooled)
Operating Temperature	32 - 104°F / 0 - 40°C



OPTIONAL ACCESSORIES & KITS



Dome Diffuser
FLXA006



2" Fresnel
FLXA004



Gel Holder
FLXA008



Softbox Kit
FLXSB-K9x7-P180



K411 Pro Plus Kit
2x P180, 2x P360 Pro Plus
FLXK411PP